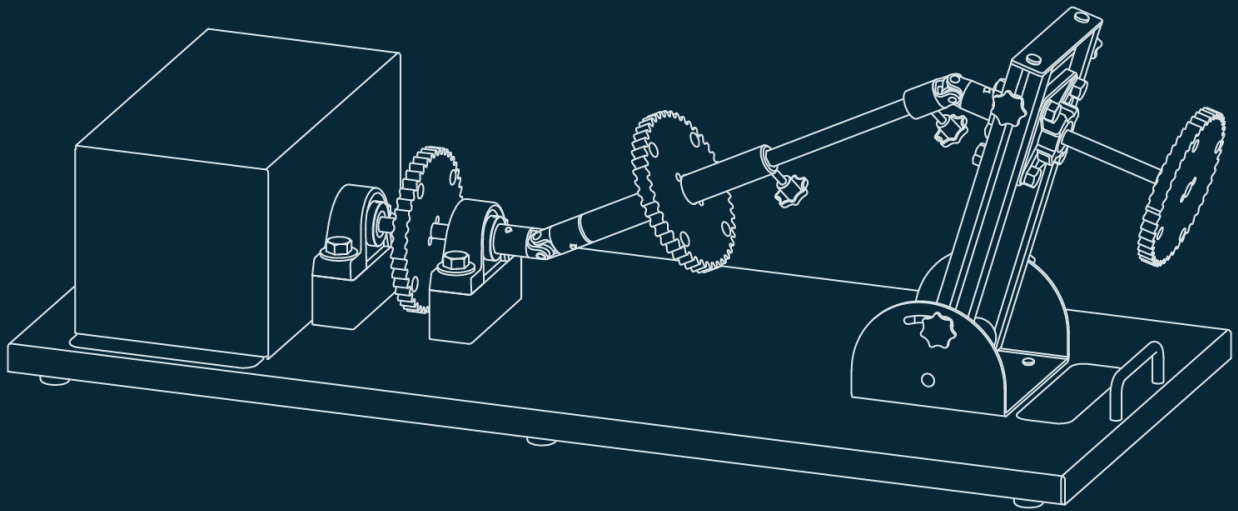




Driveshaft working angle trainer





The ConsuLab EM-200-28 is designed to help demonstrate and simplify the complex acceleration and deceleration phenomenon that occurs in revolving universal joints and drive shafts operating at various angles. Even when the input driveshaft rotates at constant speed the output driveshaft maintains a variable speed depending on the angle between them, which causes vibrations and wear over time. The higher the angle between the shafts the more amplified the effect is

**EDUCATIONAL
ADVANTAGES**

- Demonstrates a visual representation of a difficult operational concept to understand.
- Different driveshaft angles can be selected using the adjustment system.
- Results of changes in speed can be audibly demonstrated using toothed wheels.

FEATURES

- Driven by electric motor
- Visual indicators
- Universal shaft adjustment

**TECHNICAL
INFORMATIONS**

- **Power required:** 120/240 VAC, 60/50 Hz
- **Dimensions:** 38 x 16 x 14.25 in (96.5 x 40.5 x 36.2 cm)
- **Weight:** 45 lb (20.45 kg)

Scan this QR code for
more about this product

